

Report Of:

- **2018 International Swimming Pool and Spa Code**

WARNING No representation or warranty is given that your particular application of these products complies with relevant building codes or that the fasteners provided or used are appropriate for your application. Consult with professionals and local building officials before beginning work: (i) to ensure compliance with relevant building codes for your application and for your proposed use of fasteners; (ii) to ensure the integrity of the structural components in connection with which these products are to be used; (iii) to identify appropriate safety gear that is to be used during installation; (iv) to ensure that the work area is free from utilities, services and hazards; and (v) to clarify any instructions or warnings that may not be clear. Work in a safe manner wearing protective gear such as gloves, eyewear, headwear, footwear and clothing. When using tools comply with operation manuals and instructions. Metal and glass may have sharp edges and could fragment or splinter during or as a result of handling or cutting. Do not use these products in connection with any substance that is or may be harmful or corrosive to the products. Inspect and maintain these products and the structural components that they are used in connection with on a regular basis, using professionals when appropriate.

PEAK® ALUMINUM FENCING AQUATINE™

Review for compliance with
2018 International Swimming Pool and Spa Code

Peak Products USA Corporation

June 19, 2020

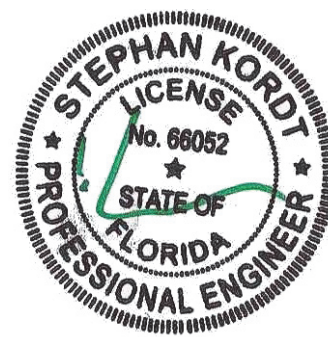
RJC No. VAN.106169.0029

Prepared for:

Peak Products USA Corporation
www.peakproducts.com

Prepared by:

Read Jones Christoffersen Ltd.
1285 West Broadway, Suite 300
Vancouver BC V6H 3X8



06 19 2020



Table of Contents

1.0	OVERVIEW	1
2.0	BARRIER REQUIREMENTS CHECKLIST	1
3.0	CONCLUSION	3

APPENDIX A: ASSEMBLY DRAWINGS - 4'H FENCE SYSTEM



1.0 OVERVIEW

The Peak® Aluminum Fencing Aquatine™ system is intended to act as a barrier around a pool area to prevent access to the pool area, but not to protect against a fall to a lower elevation. The objective of this report is to complete a review of the requirements stipulated in Section 305 “Barrier Requirements” of the 2018 International Swimming Pool and Spa Code® Third Printing; Feb 2020 (ISPSC).

2.0 BARRIER REQUIREMENTS CHECKLIST

The following table represents a summary of the compliance requirements stipulated in Section 305 of the 2018 ISPSC. This review is limited to these compliance requirements, and does not evaluate the system for any other aspects, site specific or otherwise.

Verdict	Clause	Description	Comment
N/A	305.1	General Where spas or hot tubs are equipped with a lockable safety cover complying with ASTM F1346 and swimming pools are equipped with a powered safety cover that complies with ASTM F1346, the areas [shall not be required to comply with Section 305]	Review for compliance with Section 305
N/A	305.2	Outdoor swimming pools and spas	
N/A	305.2.1	<i>Barrier height and clearances</i>	
✓	305.2.1.1	Top of barrier not less than 48 inches above grade on the side of barrier that faces away from the pool or spa, maintained for 3 feet horizontally from the outside of the barrier	Top of barrier 48 inches above grade
✓	305.2.1.2	Vertical clearance between grade and bottom of barrier shall not exceed 2 inches for grade surfaces that are not solid, on the side of the barrier that faces away from the pool	Maximum 2 inches clearance
✓	305.2.1.3	Vertical clearance between grade and bottom of barrier shall not exceed 4 inches for grade surfaces that are solid, on the side of the barrier that faces away from the pool	Maximum 2 inches clearance
✓	305.2.1.4	Vertical clearance between the top of the pool or spa and the bottom of the barrier shall not exceed 4 inches when barrier is mounted on top of the pool or spa that is above grade	Maximum 2 inches clearance
✓	305.2.2	<i>Openings</i> in the barrier shall not allow passage of 4-inch diameter sphere	Maximum 4 inch openings
N/A	305.2.3	<i>Solid barrier surfaces</i> shall not contain indentations or protrusions that form handholds and footholds.	No solid barriers – picket sections only



Verdict	Clause	Description	Comment
N/A	305.2.4	<i>Mesh fence as a barrier</i>	Only applies to mesh fence barriers
N/A	305.2.5	<i>Closely spaced horizontal members</i>	Top and bottom rails spaced 45 ½ inches apart
✓	305.2.6	<i>Widely spaced horizontal members:</i> spacing between vertical members shall not exceed 4 inches and the interior width of decorative cutouts within vertical members shall not exceed 1-3/4 inches	Maximum 4 inch spacing, no decorative cut-outs
N/A	305.2.7	<i>Chain link dimensions</i>	Only applies to chain link barriers
N/A	305.2.8	<i>Diagonal members</i>	No diagonal members
✓	305.2.9	<i>Clear zone</i> of not less than 36 inches between the exterior of the barrier and any permanent structures or equipment that can be used to climb the barrier	48 inch clear zone on both sides of fence
✓	305.2.10	<i>Poolside barrier setbacks:</i> pool or spa side of the required barrier shall not be less than 20 inches from the water's edge	48 inch clear zone on both sides of fence
✓	305.3	Gates: Access gates shall be equipped to accommodate a locking device, opening outward from the pool or spa, and shall be self-closing and have a self-latching device	Gate equipped with self-latching device, hinge self closes, opens away from pool
N/A	305.3.1	<i>Utility or service gates</i>	
N/A	305.3.2	<i>Double or multiple gates</i> shall have at least one leaf secured in place and the adjacent leaf shall be secured with a self-latching device	No double or multiple gates
N/A	305.3.2	<i>Double or multiple gates</i> shall not have openings larger than 1/2 inch within 18 inches of the latch release mechanism	No double or multiple gates
✓	305.3.3	<i>Latches</i> shall be located on the pool or spa side of not less than 3 inches below the top of the gate, when the latch release mechanism of the self-latching device is located less than 54 inches from grade.	Latch release mechanism located minimum 54 inches above grade
✓	305.3.3	The gate and barrier shall not have openings greater than 1/2 inch within 18 inches of the release mechanism, when the latch release mechanism of the self-latching device is located less than 54 inches from grade.	Latch release mechanism located minimum 54 inches above grade
N/A	305.4	Structure wall as a barrier	



Verdict	Clause	Description	Comment
N/A	305.5	Onground residential pool structure as a barrier	
N/A	305.6	Natural barriers	
N/A	305.7	Natural topography	

This review is based on information and drawings provided by Peak Products USA Corporation for the elements listed above.

3.0 CONCLUSION

The Peak® Aluminum Fencing Aquatine™ system meets the requirements within Section 305 “Barrier Requirements” of the 2018 International Swimming Pool and Spa Code®. Limitations of compliance are defined in the assembly drawings presented in Appendix A.

Yours truly,

READ JONES CHRISTOFFERSEN LTD.

2020.06.19

Leonard Pianalto, M.Sc., P.Eng., LEED® AP, FEC.
Principal

Reviewed by:

Digitally signed by
Stephan Kordt, PE, SE
DN: cn=Stephan
Kordt, PE, SE,
o=Kordt Engineering
Group, LLC, ou,
email=SKordt@KordtE
G.com, c=US
Date: 2020.06.19
15:04:19 -07'00'

Stephan Kordt, SE, PE
Kordt Engineering Group, President

LPi/akb

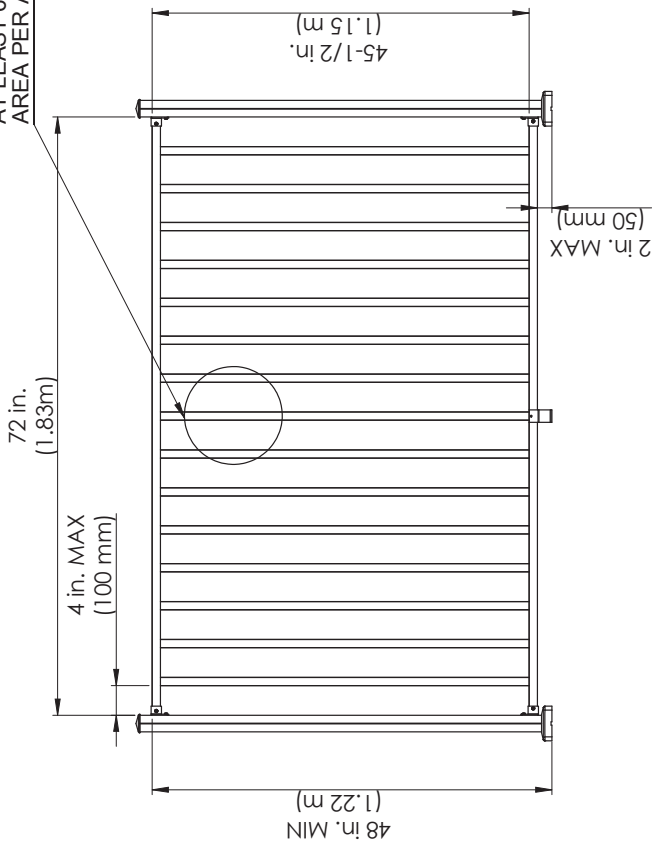
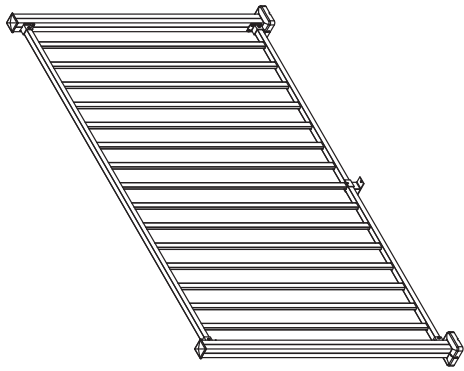
LIMITS OF COMMISSION

RJC prepared this report for the use of Peak Products Manufacturing Inc. The material in it reflects RJC's judgement in light of information available to RJC at the time of preparation, including but not limited to material data sheets, independent testing, and physical mock-ups. Any use that a third party makes of this report, or any reliance or decisions to be based on it, is the responsibility of such third parties. RJC accepts no responsibility for damages, if any, suffered by any third party as a result of decisions made or actions based on this report.

This report was prepared for Peak Products Manufacturing Inc. It is not for the use or benefit of, nor may it be relied upon, by any other person or entity, without written permission of Read Jones Christoffersen Ltd.

APPENDIX A
ASSEMBLY DRAWINGS –
4'H FENCE SYSTEM

AT LEAST 65% OPEN
AREA PER ASTM F1908



TITLE
AQUATINE™ 6' Picket Section
(Hard Surface)

PART FILE
Picket section-4ft

DWG REV
A

DIMENSIONS ARE IN MM UNLESS NOTED
DO NOT SCALE DRAWING

PROPRIETARY AND CONFIDENTIAL
THIS DRAWING OR ANY PART THEREOF IS THE PROPERTY OF THE PEAK GROUP OF COMPANIES. ANY REPRODUCTION IN PART OR AS A WHOLE WITHOUT THE WRITTEN PERMISSION OF THE PEAK GROUP OF COMPANIES IS PROHIBITED.

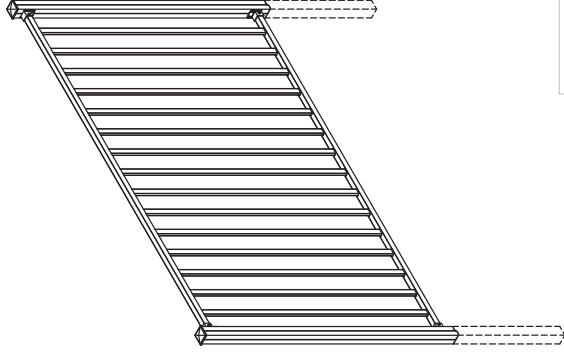
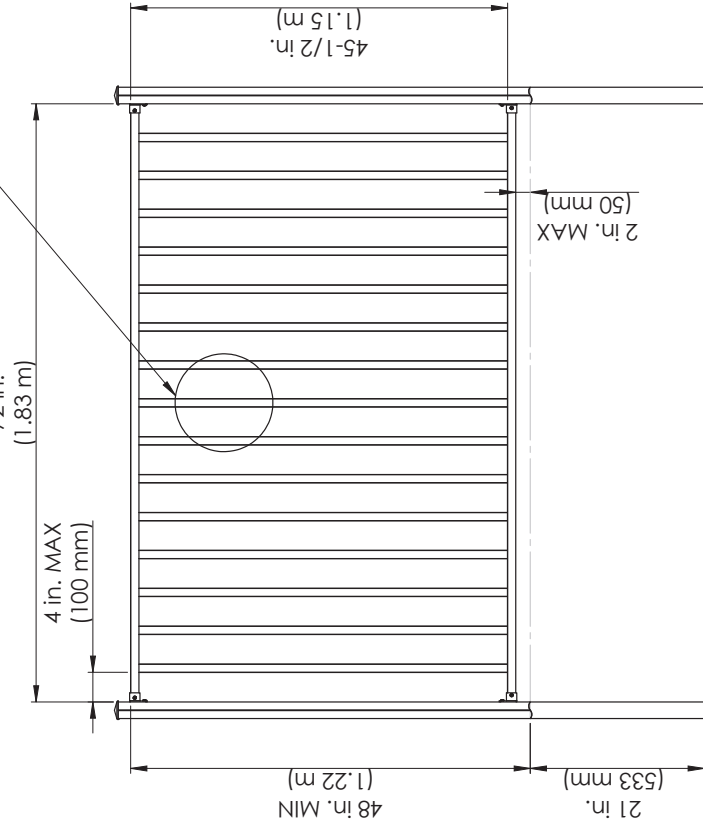
SIZE
DWG. NO. B Picket section-4ft

SCALE: 1:50 SHE REV 2015-03-03-A SHEET 1 OF 3

DESCRIPTION	SKU
4' Post - Hard Surface	56003, 56004
4'H x 6'W Picket Rail Kit	56113, 56114
Picket Bracket Kit	56901, 56902
Picket Angle Bracket Kit	56911, 56912

PEAK® ALUMINUM FENCING AQUATINE™
Review for compliance with
2017 Florida Building Code – Building and Residential
2018 International Swimming Pool and Spa Code
Appendix A - Assembly Drawings

AT LEAST 65% OPEN
AREA PER ASTM F1908



TITLE
AQUATINE™ 6' Picket Section
(Soft Surface)

PART FILE
Picket Section- in ground - 4ft

DWG REV
A

DIMENSIONS ARE IN MM UNLESS NOTED
DO NOT SCALE DRAWING

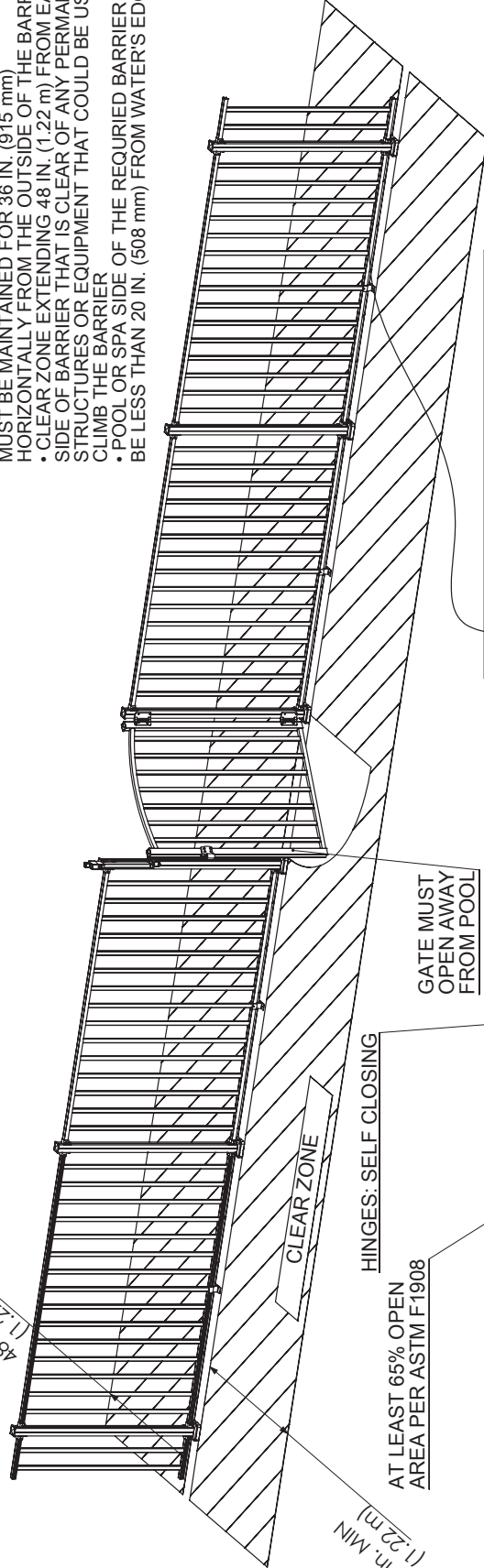
PROPRIETARY AND CONFIDENTIAL
THIS DRAWING OR ANY PART THEREOF IS THE PROPERTY OF THE PEAK GROUP OF COMPANIES. ANY REPRODUCTION IN PART OR AS A WHOLE WITHOUT THE WRITTEN PERMISSION OF THE PEAK GROUP OF COMPANIES IS PROHIBITED.

SIZE
B DWG. NO.
Picket Section- in ground - 4ft

SCALE: 1:50 SHEET REV
2015-03-03-A SHEET 2 OF 3

DESCRIPTION	SKU
4' Post - Soft Surface	56013, 56014
4'H x 6'W Picket Rail Kit	56113, 56114
Picket Bracket Kit	56901, 56902
Picket Angle Bracket Kit	56911, 56912

- INSTALLATION REQUIREMENTS**
- MINIMUM HEIGHT OF 48 IN. (1.22 m) ABOVE GRADE
 - MUST BE MAINTAINED FOR 36 IN. (915 mm) HORIZONTALLY FROM THE OUTSIDE OF THE BARRIER
 - CLEAR ZONE EXTENDING 48 IN. (1.22 m) FROM EACH SIDE OF BARRIER THAT IS CLEAR OF ANY PERMANENT STRUCTURES OR EQUIPMENT THAT COULD BE USED TO CLIMB THE BARRIER
 - POOL OR SPA SIDE OF THE REQUIRED BARRIER SHALL NOT BE LESS THAN 20 IN. (508 mm) FROM WATER'S EDGE



GROUNDING - CONTINUOUS RUNS OF METAL FENCING INSTALLED IN THE GROUND WITHIN 10 FT OF THE POOL SHALL BE GROUNDED IN COMPLIANCE WITH THE REQUIREMENTS OF LOCAL UTILITIES AND ELECTRICAL CODES



TITLE	AQUATINE™ Fence and Gate Requirements
PART FILE	gate and fence layout-4ft
DWG REV	A
DIMENSIONS ARE IN MM UNLESS NOTED	DO NOT SCALE DRAWING
PROPRIETARY AND CONFIDENTIAL	
THIS DRAWING IS THE PROPERTY OF PEAK GROUP OF COMPANIES. ANY REPRODUCTION IN PART OR AS A WHOLE WITHOUT THE WRITTEN PERMISSION OF THE PEAK GROUP OF COMPANIES IS PROHIBITED.	

SIZE	DWG. NO.
B	gate and fence layout-4ft
SHEET REV	SCALE: 1:100 2015-03-03-A
	SHEET 3 OF 3

DESCRIPTION	SKU
4'H x 3'W Pool Gate	56163, 56164