

The logo features a stylized yellow triangle on the left, followed by the word "PEAK" in white with a registered trademark symbol, and "Aluminum Railing" in a large, bold, yellow font.

PEAK[®] Aluminum Railing

Report of:

- **2024 International Residential Code**
- **2023 Florida Building Code Residential Eighth Edition**

⚠ WARNING No representation or warranty is given that your particular application of these products complies with relevant building codes or that the fasteners provided or used are appropriate for your application. Consult with professionals and local building officials before beginning work: (i) to ensure compliance with relevant building codes for your application and for your proposed use of fasteners; (ii) to ensure the integrity of the structural components in connection with which these products are to be used; (iii) to identify appropriate safety gear that is to be used during installation such as a safety harness when working above ground; (iv) to ensure that the work area is free from utilities, services and hazards; and (v) to clarify any instructions or warnings that may not be clear. Work in a safe manner wearing protective gear such as gloves, eyewear, headwear, footwear and clothing. When using tools comply with operation manuals and instructions. Metal and glass may have sharp edges and could fragment or splinter during or as a result of handling or cutting. Do not use these products in connection with any substance that is or may be harmful or corrosive to the products. Inspect and maintain these products and the structural components that they are used in connection with on a regular basis, using professionals when appropriate.

Peak™ Aluminum Railing System

Engineering Review for Compliance with
2024 International Residential Code and 2023
Florida Building Code Residential Eighth Edition

Peak Products USA Corporation
www.peakproducts.com

Submitted July 22, 2025 by
RDH Building Science Inc.
1901 Harrison Street #1210
Oakland, CA 94612

Contents

1	Overview	3
1.1	Infill Elements	3
1.2	Rail Elements	3
1.3	Connectors	4
2	Infill Elements	4
2.1	Aluminum Infill Elements	4
2.2	Glass Infill Elements	4
3	Rail Elements	5
3.1	General Rail Elements	5
4	Connectors	5
4.1	General Connectors	5
5	Results	6
6	Conclusion	7

Appendices

Appendix A List of Components

Appendix B Assembly Drawings

1 Overview

The Peak™ Aluminum Railing System is intended to act as a guard or barrier to protect the public from a fall. The objectives were to complete a structural review of the structural components based in accordance with applicable material standards and the 2024 International Residential Code (IRC) and 2023 Florida Building Code Residential Eighth Edition.

The following specified loads apply:

- Concentrated live load of 200 pounds applied in any direction at any point along the top of handrail for stairs.
- Concentrated live load of 200 pounds applied horizontally outward or vertically downward on the top rail for non stair rails.
- Horizontally applied normal load of 50 pounds on an area equal to 1 square foot on infill components
- Uniform wind load:30 PSF Ult/18 PSF ASD at 6" Glass Panels.
- Uniform wind load:20 PSF Ult/12 PSF ASD at large Glass Panel.

Material resistances will be determined in accordance with the respective design codes AA-ADM-1 Aluminum Design Manual 2020, and ASTM E-1300-16 Standard Practice for Determining Load Resistance of Glass in Buildings.

In this report, the following structural components were reviewed:

1.1 Infill Elements

- Aluminum pickets 16 mm (5/8") wide – Dwg. Title “Aluminum Railing System – Deck Railing with Standard Pickets”
- Aluminum pickets 38 mm (1½") wide - Dwg. Title “Aluminum Railing System - Deck Railing with Wide Pickets”
- Glass panels up to 1676 mm (66") wide – Dwg. Title “Aluminum Railing System – Deck Railing with Large Glass Panel”
- Glass panels 152 mm (6") wide - Dwg. Title “Aluminum Railing System – Deck Railing with 6” Glass Panel”

1.2 Rail Elements

- Post – Dwg. Title "Posts 36in" and "Posts 42in"
- Hand rail – See Report Assembly Drawings
- Base rail – See Report Assembly Drawings
- Stair hand rail – See Report Assembly Drawings

1.3 Connectors

- Horizontal Angle bracket – Dwg. Title “Brackets and Connectors”
- Wall bracket – Dwg. Title “Brackets and Connectors”
- Base Rail Support – Dwg. Title “Base Rail Support”
- Stair hand and base rail bracket – Dwg. Title “Stair Hand and Base Rail Bracket”

The complete list of all components (including non-structural components) for the system is included in Appendix A.

2 Infill Elements

The primary infill elements include the following:

- Aluminum pickets 16 mm (5/8”) wide
- Aluminum pickets 38 mm (1½”) wide
- Glass panels up to 1676 mm (66”) wide
- Glass panels 152 mm (6”) wide

This review is based on information and drawings provided by Peak™ Products USA Corporation (Peak) for the elements listed above.

2.1 Aluminum Infill Elements

Our analysis is based on the following information:

- Loads: Prescribed by 2024 International Residential Code and 2023 Florida Building Code Residential. See Section 1.0 Overview.
- Resistance: Completed in accordance with the AA-ADM-1, Aluminum Design Manual 2020.
- Section properties: Information was provided by Peak™. Calculations were completed in accordance with AA-ADM-1.
- Load configuration: Span and bearing lengths were provided by Peak™.

2.2 Glass Infill Elements

Our analysis is based on the following information:

- Loads: Prescribed by the 2024 International Residential Code and 2023 Florida Building Code Residential. See Section 1.0 Overview.
- Resistance: Completed in accordance with ASTM E1300-16, Standard Practice for Determining Load Resistance of Glass in Buildings.
- Section properties: Determined from drawings provided by Peak™.
- Allowable deflection: L/60

3 Rail Elements

3.1 General Rail Elements

The general rail elements include the hand rail, stair hand rail, base rail, and posts. An analysis was completed based on the worst-case configuration for these elements.

- Loads: Prescribed by the 2024 International Residential Code and 2023 Florida Building Code Residential. See Section 1.0 Overview.
- Resistance: Completed in accordance with the AA-ADM-1, Aluminum Design Manual 2020.
- Section properties: Information was provided by Peak™. Calculations were completed in accordance with AA-ADM-1.
- Fastener resistance: Completed in accordance with AISC 360-16 and AAMA TIR A9-14.
- Load configuration: Span and dimensions were provided by Peak™. Posts were modeled as cantilevers, fixed at the base.

4 Connectors

4.1 General Connectors

The general connectors include the following:

- Horizontal Angle Bracket
- Wall Bracket
- Base Rail Support
- Stair hand and base rail brackets

An analysis was completed based on the worst-case configuration for these elements.

- Loads: Prescribed by the 2024 International Residential Code and 2023 Florida Building Code Residential. See Section 1.0 Overview.
- Resistance: Completed in accordance with the AA-ADM-1, Aluminum Design Manual 2020.
- Section properties: Determined from drawings provided by Peak™. Calculations were completed in accordance with AA-ADM-1.
- Load configuration: Span and dimensions were provided by Peak™.
- Connections to the base building are not included as part of this review, including but not limited to the rail and post connections.

5 Results

A full set of calculations and results is presented in RDH compiled engineering review package. The engineering package includes:

- Dimensioned drawings of each component, including extrusion drawings
- Calculation sheets for the structural capacity of components listed in 1.0 Overview.

The above documents contain proprietary information and as such, have not been included in this report.

6 Conclusion

The Peak™ Aluminum Railing System meets the requirements within the 2024 International Residential Code and Florida Building Code Eighth Edition (2023) Residential. Limitations of compliance are defined in the assembly drawings presented in Appendix B.

Yours truly,

Completed By:



Tenzin Woser | EIT
Façade Structural Engineer
twoser@rdh.com
RDH Building Science Inc.

Reviewed By:



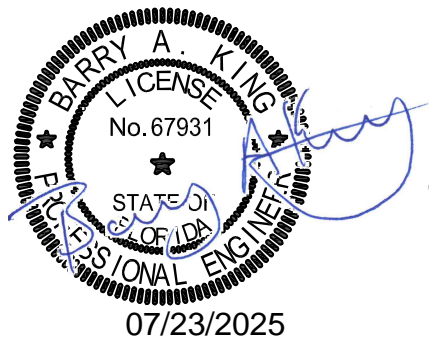
Barry King, PE, Associate
Senior Project Manager Façade Structural
bking@rdh.com
RDH Building Science Inc

Encl. Appendix A – List of Components
 Appendix B – Assembly Drawings

Limits of Commission

RDH prepared this report for the use of Peak™ Products USA Corporation. The material in it reflects RDH’s judgement in light of information available to RH at the time of preparation, including but not limited to material data sheets, independent testing, and physical mock-ups. Any use that a third party makes of this report, or any reliance or decisions to be based on it, is the responsibility of such third parties. RDH accepts no responsibility for damages, if any, suffered by any third party as a result of decisions made or actions based on this report.

This report was prepared for Peak™ Products USA Corporation. It is not for the use or benefit of, nor may it be relied upon, by any other person or entity, without written permission of RDH Building Science Inc.



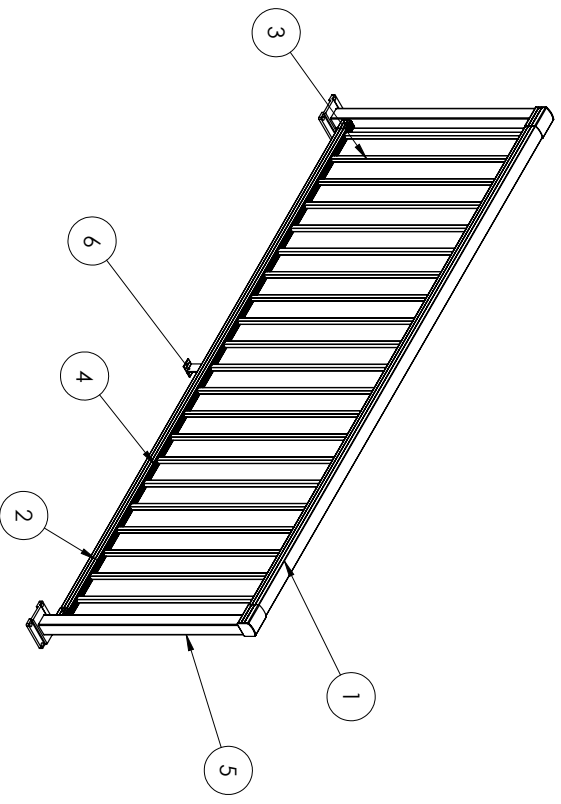
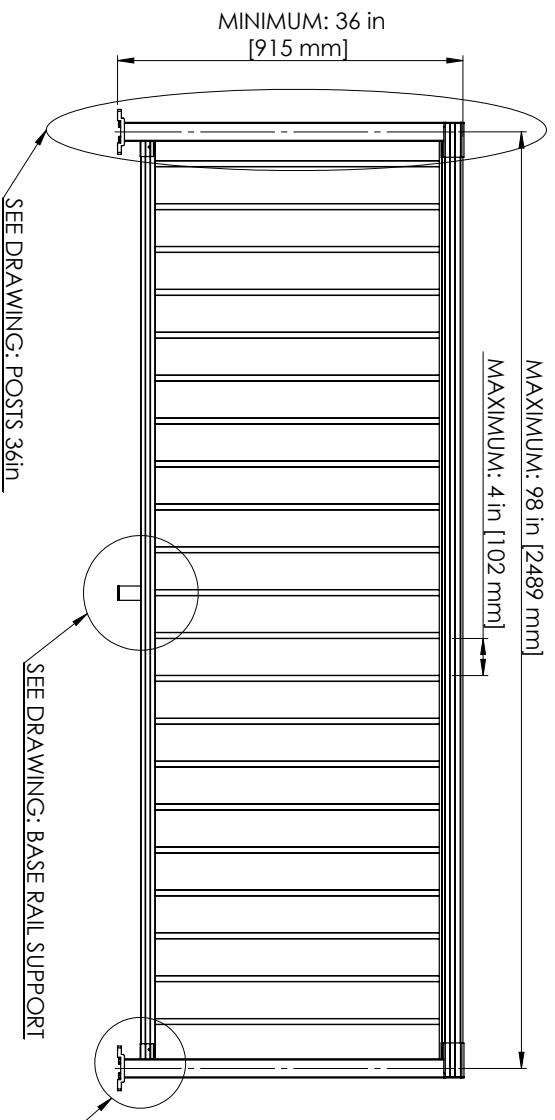
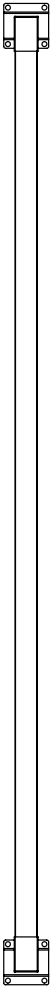
Appendix A

List of Components

SKU	Description
36000, 36001	End Post
36010, 36011	Mid Post
36020, 36021	Corner Post
36050, 36051	Stair Post
36100, 36101	4ft Hand and Base Rail
36110, 36111	6ft Hand and Base Rail
36120, 36121	8ft Hand and Base Rail
36130, 36131	4ft Hand and Base Rail for Glass Panels
36135, 36136	6ft Hand and Base Rail for Glass Panels
36200, 36201	4ft Standard Pickets and Spacers
36210, 36211	6ft Standard Pickets and Spacers
36240, 36241	8ft Standard Pickets and Spacers
36622, 36623	6ft x 36in Railing Panel with Standard Pickets
36205, 36206	4ft Hand and Base Rail with Standard Pickets
36215, 36216	6ft Hand and Base Rail with Standard Pickets
36245, 36246	8ft Hand and Base Rail with Standard Pickets
36220, 36221	6ft Stair Hand and Base Rail with Standard Pickets
36230, 36231	8ft Stair Hand and Base Rail with Standard Pickets
36650, 36651	6ft Stair Railing Panel
36300, 36301	4ft Wide Pickets and Spacers
36310, 36311	6ft Wide Pickets and Spacers
36340, 36341	8ft Wide Pickets and Spacers
36305, 36306	4ft Hand and Base Rail with Wide Pickets
36315, 36316	6ft Hand and Base Rail with Wide Pickets
36614, 36615	End Post - 36 in - 3 in x 3 in
36616, 36617	Mid Post - 36 in - 3 in x 3 in
36618, 36619	Corner Post - 36 in - 3 in x 3 in
36345, 36346	8ft Hand and Base Rail with Wide Pickets
36320, 36321	6ft Stair Hand and Base Rail with Wide Pickets
36330, 36331	8ft Stair Hand and Base Rail with Wide Pickets
36710, 36710	6" Glass Panel Kit Clear
36713, 36713	6" Glass Panel Kit Tinted
36820, 36820	Glass Panel 18" x 30 7/16"
36823, 36823	Glass Panel 21" x 30 7/16"
36830, 36830	Glass Panel 24" x 30 7/16"
36833, 36833	Glass Panel 27" x 30 7/16"
36840, 36840	Glass Panel 30" x 30 7/16"
36843, 36843	Glass Panel 33" x 30 7/16"
36850, 36850	Glass Panel 36" x 30 7/16"
36853, 36853	Glass Panel 39" x 30 7/16"
36860, 36860	Glass Panel 42" x 30 7/16"
36863, 36863	Glass Panel 45" x 30 7/16"
36870, 36870	Glass Panel 48" x 30 7/16"
36873, 36873	Glass Panel 51" x 30 7/16"
36880, 36880	Glass Panel 54" x 30 7/16"
36883, 36883	Glass Panel 57" x 30 7/16"
36888, 36888	Glass Panel 60" x 30 7/16"
36891, 36891	Glass Panel 63" x 30 7/16"
36895, 36895	Glass Panel 66" x 30 7/16"
36920, 36921	Wall Bracket
36930, 36931	Stair Bracket
36940, 36940	6ft Glass Gasket
36950, 36951	Horizontal Angle Bracket
42602, 42603	Stair Post - 3 in x 3 in
42614, 42615	End Post - 42 in - 3 in x 3 in
42616, 42617	Mid Post- 42 in - 3 in x 3 in
42618, 42619	Corner Post - 42 in - 3 in x 3 in
42622, 42623	6ft x 42in Railing Panel with Standard Pickets

Appendix B

Assembly Drawings



ITEM NO.	DESCRIPTION	SKU
1	HAND RAIL	36100, 36101, 36110, 36111, 36120, 36121, 36205, 36206, 36215, 36216, 36245, 36246, 36622, 36623
2	BASE RAIL	36100, 36101, 36110, 36111, 36120, 36121, 36205, 36206, 36215, 36216, 36245, 36246, 36622, 36623
3	STANDARD PICKET	36200, 36201, 36210, 36211, 36240, 36241, 36205, 36206, 36215, 36216, 36245, 36246, 36622, 36623
4	SPACER	36200, 36201, 36210, 36211, 36240, 36241, 36205, 36206, 36215, 36216, 36245, 36246
5	POST	36000, 36001, 36010, 36011, 36020, 36021, 36050, 36051, 36614, 36615, 36616, 36617, 36618, 36619, 42602, 42603
6	BASE RAIL SUPPORT	36100, 36101, 36110, 36111, 36120, 36121, 36205, 36206, 36215, 36216, 36245, 36246, 36622, 36623



TITLE
**Aluminum Railing System -
 Deck Railing with
 Standard Pickets**

PART FILE
 PAR36 Assembly

DWG REV
 C

DIMENSIONS ARE IN MILLIMETERS NOTED
 DO NOT SCALE DRAWING

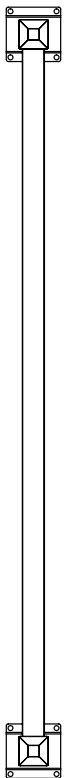
PROPRIETARY AND CONFIDENTIAL

THE INFORMATION CONTAINED IN THIS DRAWING IS THE SOLE
 PROPERTY OF THE PEAK GROUP OF COMPANIES. ANY REPRODUCTION
 OR TRANSMISSION OF THIS DRAWING WITHOUT THE WRITTEN PERMISSION OF THE
 PEAK GROUP OF COMPANIES IS PROHIBITED.

SIZE
B

DWG. NO.
 Report assembly PAR US-36 Pickets

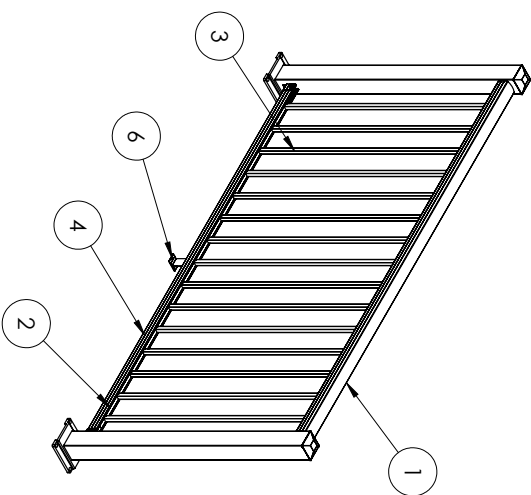
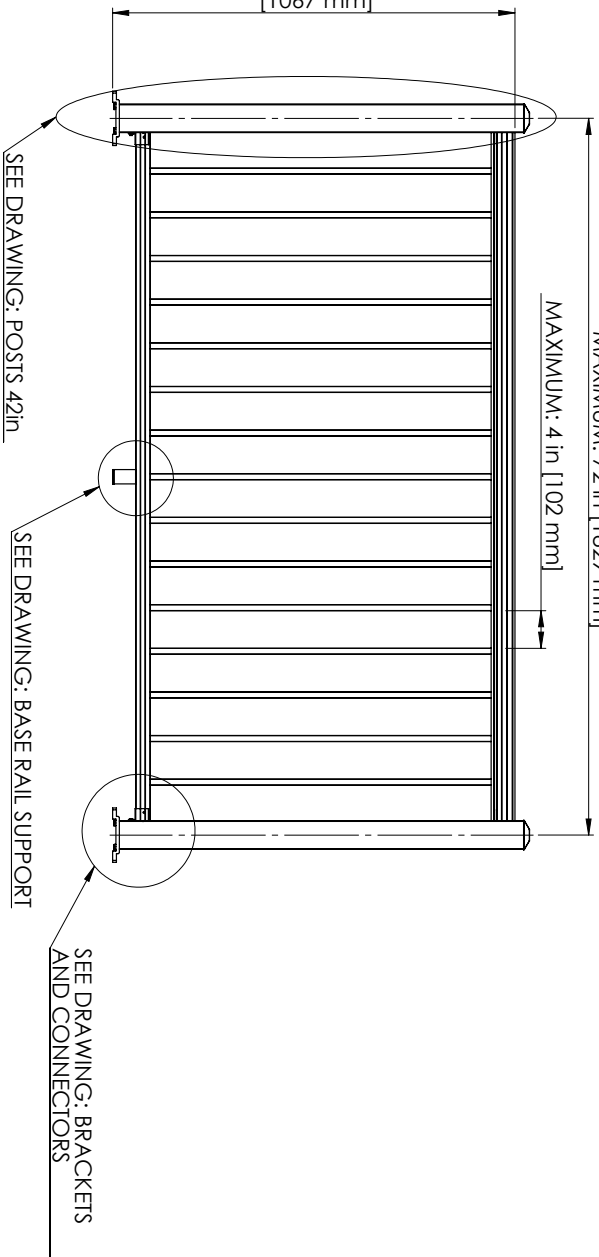
SCALE: 1:1/8
 SHEET REV
 2015-03-03-A



MAXIMUM: 72 in [1829 mm]

MAXIMUM: 4 in [102 mm]

MINIMUM: 42in
[1067 mm]



ITEM NO.	DESCRIPTION	SKU
1	HAND RAIL	42622, 42623
2	BASE RAIL	42622, 42623
3	STANDARD PICKET	42622, 42623
5	POST	42614, 42615, 42616, 42617, 42618, 42619, 42602, 42603
6	BASE RAIL SUPPORT	42622, 42623



TITLE
Peak Aluminum Railing - Railing
Assembly with Standard Pickets

PART FILE

Report assembly-42k-standard pickets

DWG REV

C

DIMENSIONS ARE IN MILLIMETERS NOTED
DO NOT SCALE DRAWING

PROPRIETARY AND CONFIDENTIAL

THE INFORMATION CONTAINED IN THIS DRAWING IS THE SOLE
PROPERTY OF THE PEAK GROUP OF COMPANIES. ANY REPRODUCTION
OR TRANSMISSION OF THIS DRAWING WITHOUT THE WRITTEN PERMISSION OF THE
PEAK GROUP OF COMPANIES IS PROHIBITED.

SIZE

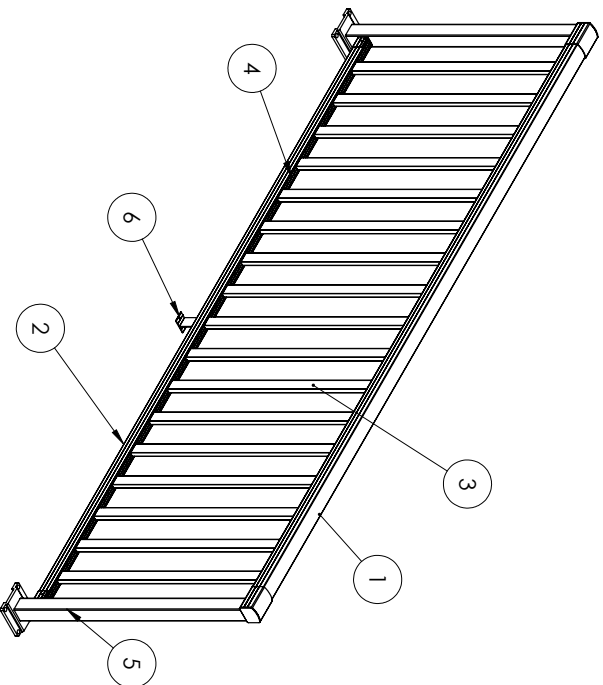
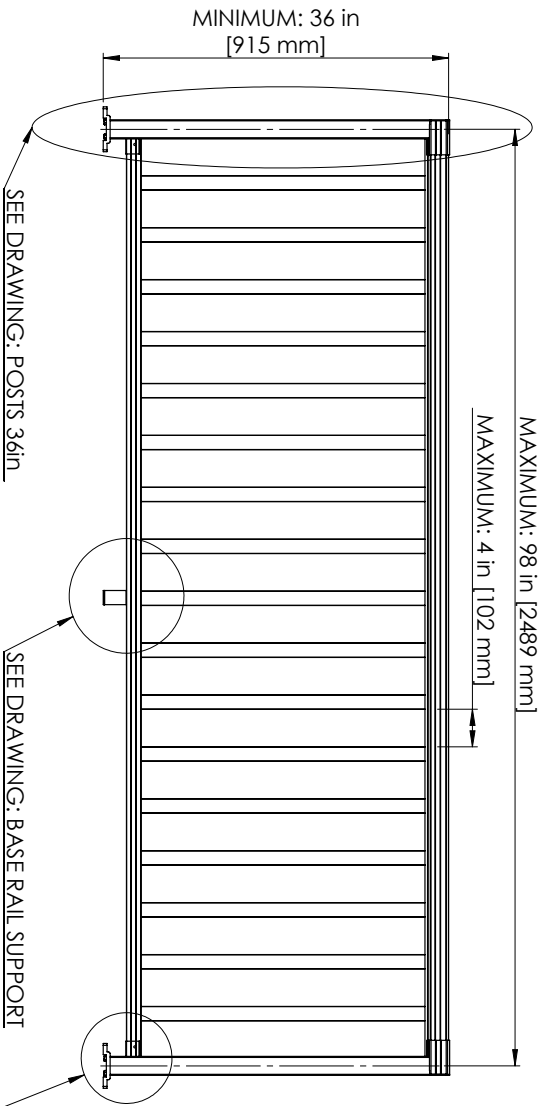
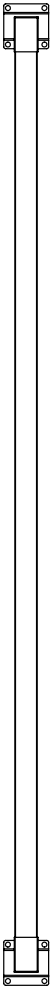
DWG. NO.

B

Report assembly PAR US-42k pickets

SCALE: 1:15

2015-03-03-A



ITEM NO.	DESCRIPTION	SKU
1	HAND RAIL	36100, 36101, 36110, 36111, 36120, 36121, 36305, 36306, 36315, 36316, 36345, 36346
2	BASE RAIL	36100, 36101, 36110, 36111, 36120, 36121, 36305, 36306, 36315, 36316, 36345, 36346
3	WIDE PICKET	36300, 36301, 36310, 36311, 36340, 36341, 36305, 36306, 36315, 36316, 36345, 36346
4	SPACER	36300, 36301, 36310, 36311, 36340, 36341, 36305, 36306, 36315, 36316, 36345, 36346
5	POST	36000, 36001, 36010, 36011, 36020, 36021, 36050, 36051, 36614, 36615, 36616, 36617, 36618, 36619, 42602, 42603
6	BASE RAIL SUPPORT	36100, 36101, 36110, 36111, 36120, 36121, 36305, 36306, 36315, 36316, 36345, 36346



TITLE
 Aluminum Railing System -
 Deck Railing with Wide Pickets

PART FILE
 PAR36 Assembly

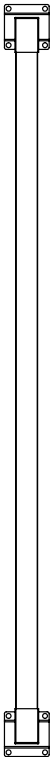
DWG REV
 C

DIMENSIONS ARE IN MILLIMETERS UNLESS NOTED
 DO NOT SCALE DRAWING

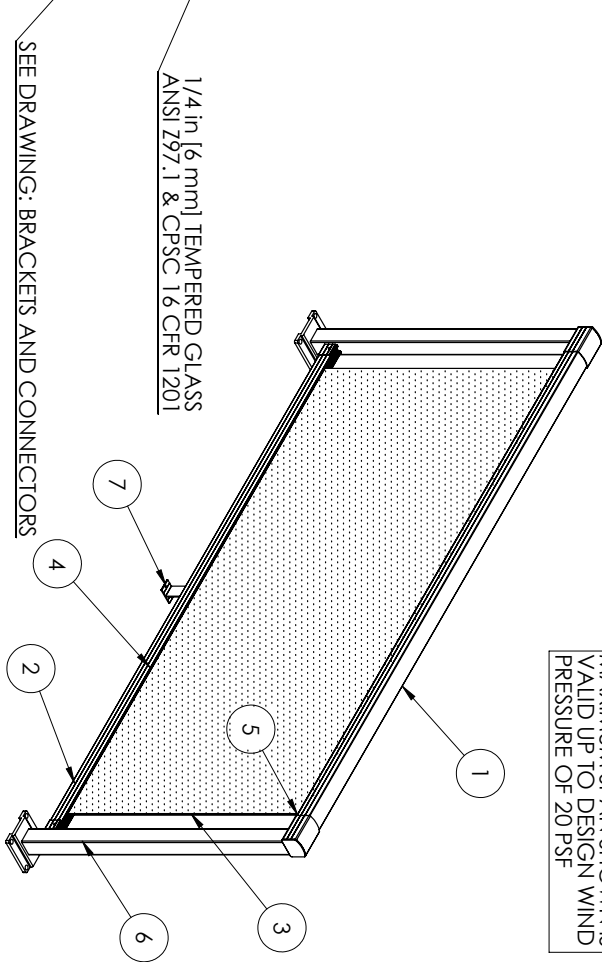
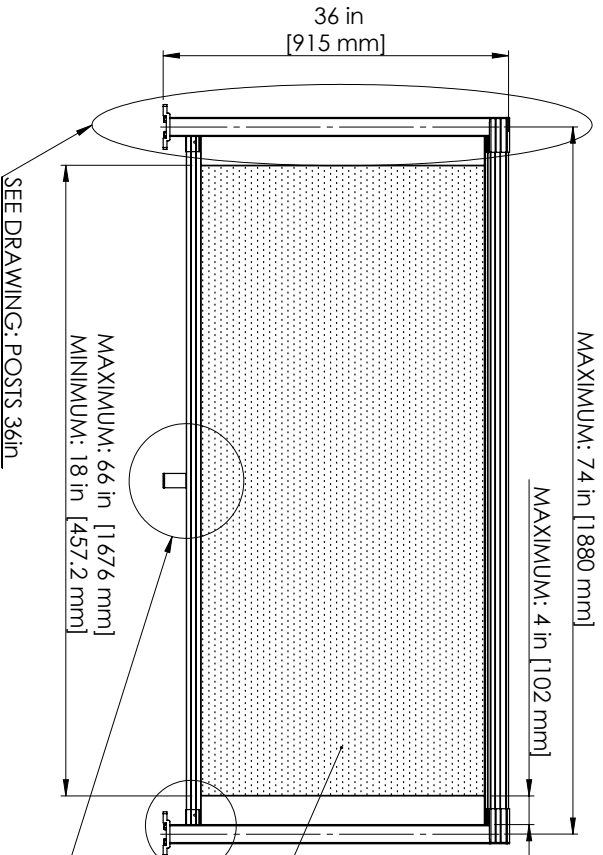
PROPRIETARY AND CONFIDENTIAL
 THE INFORMATION CONTAINED IN THIS DRAWING IS THE SOLE
 PROPERTY OF THE PEAK GROUP OF COMPANIES. ANY REPRODUCTION
 OR TRANSMISSION OF THIS DRAWING WITHOUT THE WRITTEN PERMISSION OF THE
 PEAK GROUP OF COMPANIES IS PROHIBITED.

SIZE
B DWG. NO.
 Report assembly PAR US-36 Pickets

SCALE: 1:15 SHEET REV
 2015-03-03-A



MAXIMUM SPAN SHOWN IS
VALID UP TO DESIGN WIND
PRESSURE OF 20 PSF



1/4 in [6 mm] TEMPERED GLASS
ANSI Z97.1 & CPSC 16 CFR 1201

SEE DRAWING: BRACKETS AND CONNECTORS

SEE DRAWING: BASE RAIL SUPPORT

ITEM NO.	DESCRIPTION	SKU
1	HAND RAIL	36100, 36101, 36110, 36111, 36120, 36121, 36130, 36131, 36135, 36136
2	BASE RAIL	36100, 36101, 36110, 36111, 36120, 36121, 36130, 36131, 36135, 36136
3	GLASS PANEL	36820, 36823, 36830, 36833, 36840, 36843, 36850, 36853, 36860, 36863, 36870, 36873, 36880, 36883, 36891, 36895
4	LOWER GLASS GASKET	36940, 36130, 36131, 36135, 36136
5	UPPER GLASS GASKET	36940, 36130, 36131, 36135, 36136
6	POST	36000, 36001, 36010, 36011, 36020, 36021, 36050, 36051, 36614, 36615, 36616, 36617, 36618, 36619, 42602, 42603
7	BASE RAIL SUPPORT	36100, 36101, 36110, 36111, 36120, 36121, 36130, 36131, 36135, 36136

4PEAK

TITLE
Aluminum Rolling System -
Deck Rolling with
Large Glass Panel

PART FILE
PAR3& Assembly

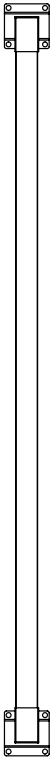
DWG REV
C

DIMENSIONS ARE IN MILLIMETERS NOTED
DO NOT SCALE DRAWINGS

PROHIBITARY AND CONFIDENTIAL
THE INFORMATION CONTAINED IN THIS DRAWING IS THE SOLE
PROPERTY OF THE PEAK GROUP OF COMPANIES. ANY REPRODUCTION
OR TRANSMISSION IN ANY FORM OR BY ANY MEANS WITHOUT THE
WRITTEN PERMISSION OF THE PEAK GROUP OF COMPANIES IS PROHIBITED.

SIZE
B
DWG. NO.
Report assembly PAR US-36 Fickets

SCALE: 1:15
SHEET REV
2015-03-03-A



MAXIMUM: 74 in [1880 mm]

MAXIMUM: 3 3/4 in [96 mm]

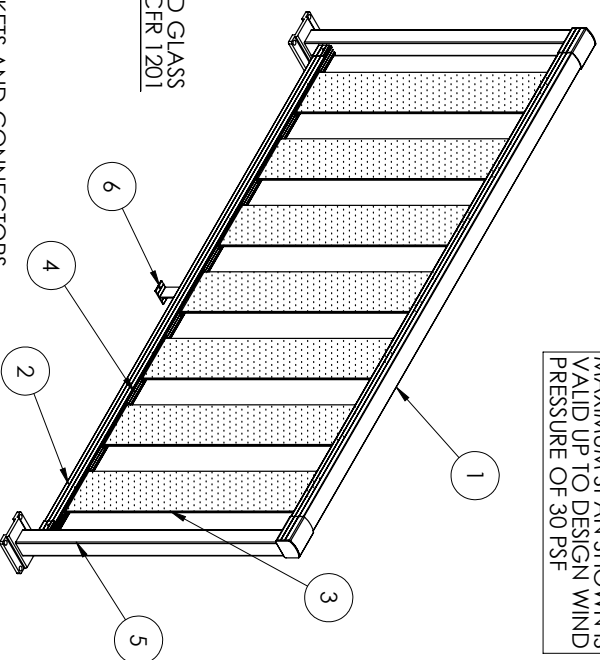
36 in [915 mm]

SEE DRAWING: POSTS 36in

SEE DRAWING: BASE RAIL SUPPORT

SEE DRAWING: BRACKETS AND CONNECTORS

1/4 in [6 mm] TEMPERED GLASS
ANSI Z97.1 & CPSC 16 CFR 1201

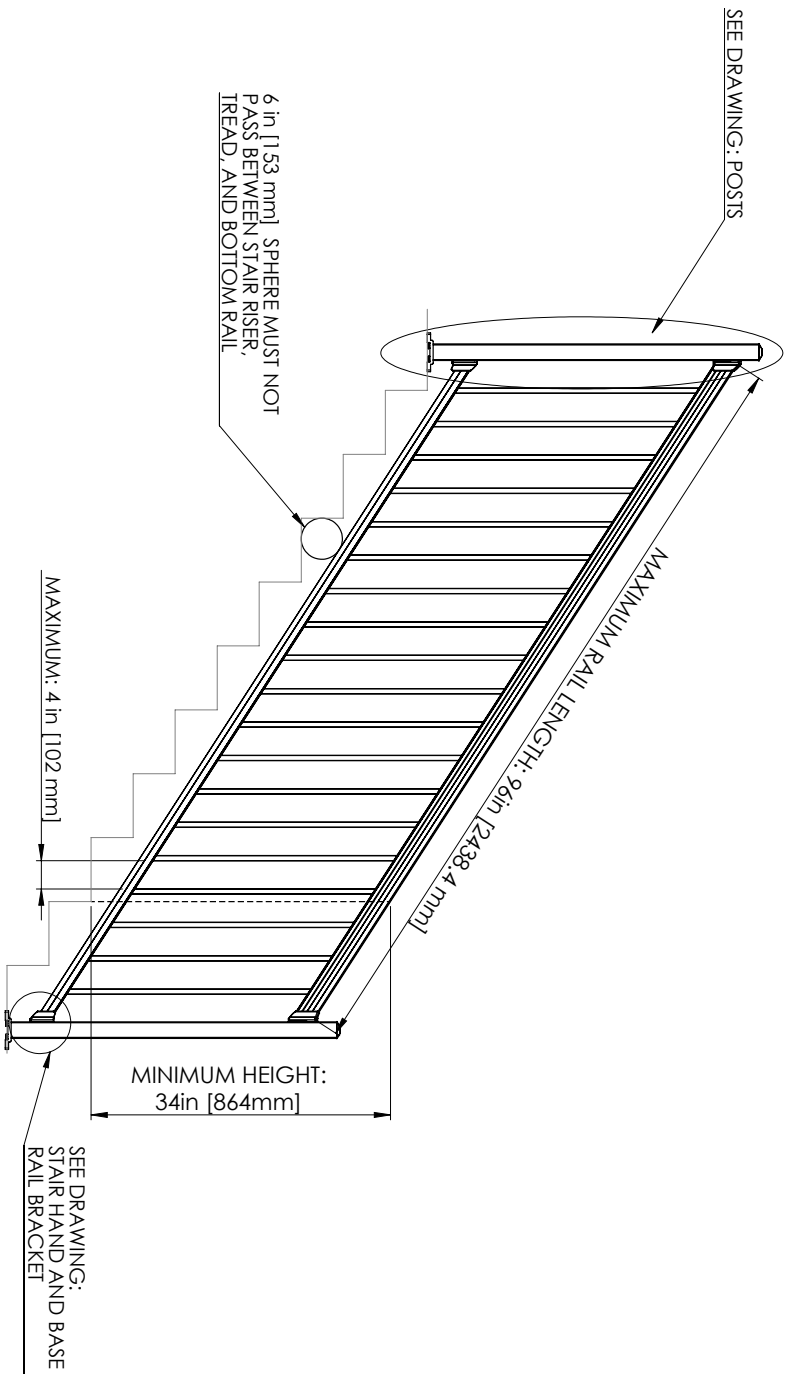


MAXIMUM SPAN SHOWN IS
VALID UP TO DESIGN WIND
PRESSURE OF 30 PSF

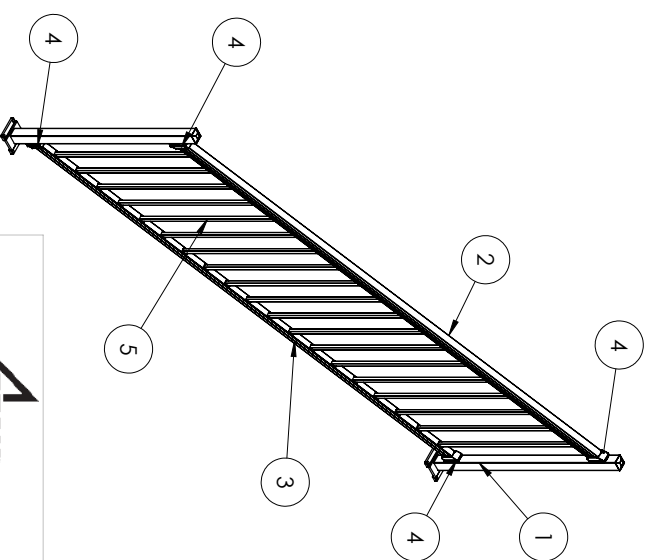


TITLE
Aluminum Railing System -
Deck Railing with 6" Glass Panels

ITEM NO.	DESCRIPTION	SKU	PART FILE	PARTS Assembly
1	HAND RAIL	36100, 36101, 36110, 36111, 36120, 36121, 36130, 36131, 36135, 36136	DWG REV	C
2	BASERAIL	36100, 36101, 36110, 36111, 36120, 36121, 36130, 36131, 36135, 36136	DIMENSIONS ARE IN MILLIMETERS UNLESS NOTED DO NOT SCALE DRAWING	
3	6" GLASS PANEL & GASKET	36710, 36713	PROPRIETARY AND CONFIDENTIAL THE INFORMATION CONTAINED IN THIS DRAWING IS THE SOLE PROPERTY OF THE PEAK GROUP OF COMPANIES. ANY REPRODUCTION WITHOUT THE WRITTEN PERMISSION OF THE PEAK GROUP OF COMPANIES IS PROHIBITED.	
4	SPACER	36710, 36713	SITE	DWG. NO.
5	POST	36000, 36001, 36010, 36011, 36020, 36021, 36050, 36051, 36614, 36615, 36616, 36617, 36618, 36619, 42602, 42603	B	Report assembly PAR US-36 Fickets
6	BASE RAIL SUPPORT	36100, 36101, 36110, 36111, 36120, 36121, 36130, 36131, 36135, 36136	SCALE: 1:15	SHEET REV 2015-03-03-A



ITEM NO.	DESCRIPTION	SKU
1	POST	36000, 36001, 36050, 36051, 36614, 36615, 42602, 42603, 42614, 42615
2	STAIR HAND RAIL	36220, 36221, 36230, 36231, 36650, 36651
3	BASE RAIL	36220, 36221, 36230, 36231, 36650, 36651
4	STAIR BRACKET	36220, 36221, 36230, 36231, 36930, 36931, 36650, 36651
5	STANDARD STAIR PICKET	36220, 36221, 36230, 36231, 36650, 36651



PEAK

TITLE
Aluminum Railing System -
Stair Railing with Standard Pickets

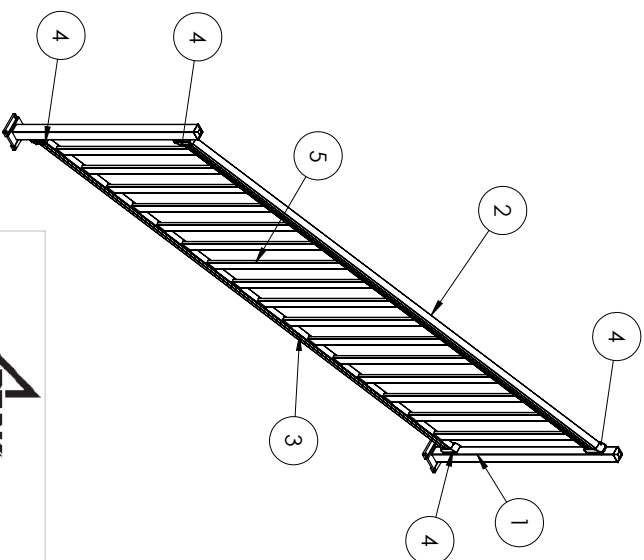
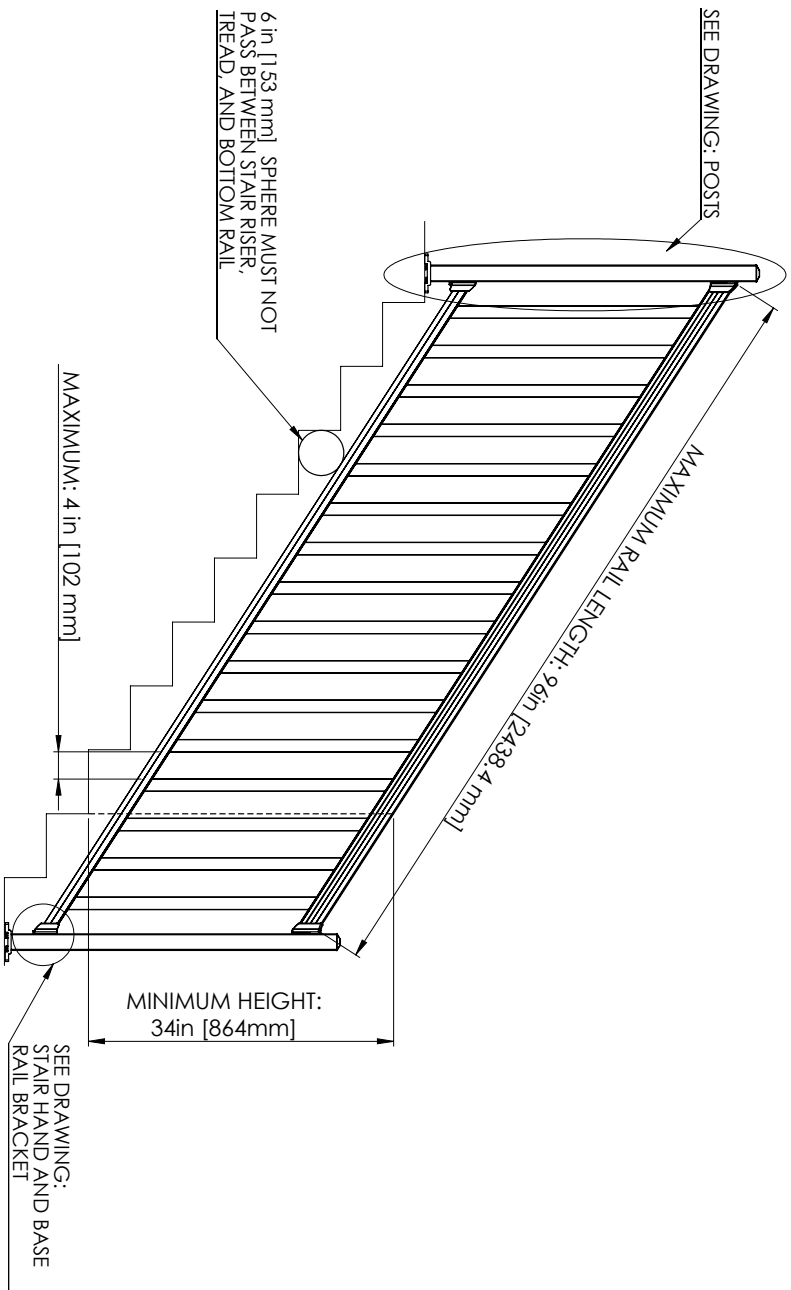
PART FILE
XXX Stairs

DWG REV C

PROPRIETARY AND CONFIDENTIAL
DIMENSIONS ARE IN MILLIMETERS NOTED
DO NOT SCALE DRAWING
THE INFORMATION CONTAINED IN THIS DRAWING IS THE SOLE PROPERTY OF THE PEAK GROUP OF COMPANIES. ANY REPRODUCTION OR TRANSMISSION OF THIS INFORMATION WITHOUT THE WRITTEN PERMISSION OF THE PEAK GROUP OF COMPANIES IS PROHIBITED.

SIZE DWG. NO.
Report assembly PAR US-36 Stair Pickets

B SHEET REV
SCALE: 1:15 2015-03-03-A



ITEM NO.	DESCRIPTION	SKU
1	POST	36000, 36001, 36050, 36051, 36614, 36615, 42602, 42603, 42614, 42615
2	STAIR HAND RAIL	36320, 36321, 36330, 36331
3	BASE RAIL	36320, 36321, 36330, 36331
4	STAIR BRACKET	36220, 36221, 36230, 36231, 36930, 36931
5	WIDE STAIR BALUSTER	36320, 36321, 36330, 36331



TITLE
 Aluminum Railing System -
 Stair Railing with Wide Pickets

PART FILE

XXX Stairs

DWG REV C

DIMENSIONS ARE IN MILLIMETERS UNLESS NOTED

DO NOT SCALE DRAWING

PROPRIETARY AND CONFIDENTIAL

THE INFORMATION CONTAINED IN THIS DRAWING IS THE SOLE PROPERTY OF THE PEAK GROUP OF COMPANIES. ANY REPRODUCTION OR TRANSMISSION OF THIS DRAWING WITHOUT THE WRITTEN PERMISSION OF THE PEAK GROUP OF COMPANIES IS PROHIBITED.

SIZE DWG. NO.

B Report assembly PAR US-36 Stair Pickets

SCALE: 1:15 SHEET REV 2015-03-03-A

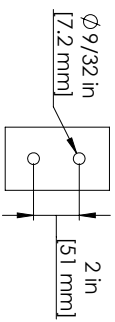
UPPER STAIR BRACKET

LOWER STAIR BRACKET

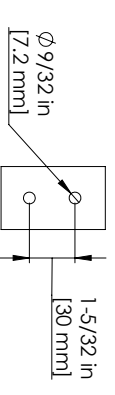
MOUNTING TEMPLATE

MOUNTING TEMPLATE

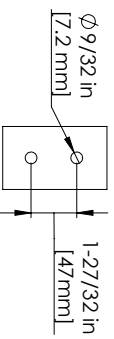
UPPER
HANDRAIL BRACKET



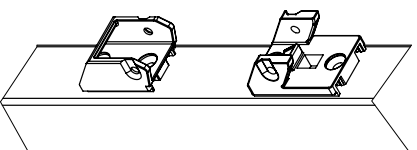
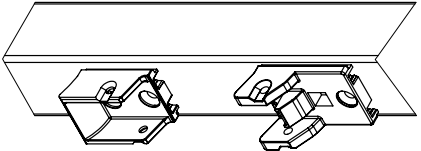
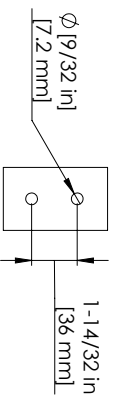
LOWER
HANDRAIL BRACKET



UPPER
BASE RAIL BRACKET



LOWER
BASE RAIL BRACKET



4PEAK

TITLE
STAIR HAND AND
BASE RAIL BRACKET

PART FILE
PAR36 - stair bracket mounting

DWG REV C

DIMENSIONS ARE IN MILLIMETERS NOTED
DO NOT SCALE DRAWING

PROPRIETARY AND CONFIDENTIAL
THE INFORMATION CONTAINED IN THIS DRAWING IS THE SOLE
PROPERTY OF THE PEAK GROUP OF COMPANIES. ANY REPRODUCTION
OR TRANSMISSION OF THIS INFORMATION TO ANY OTHER PERSON OR
PEAK GROUP OF COMPANIES IS PROHIBITED.

DESCRIPTION

SKU

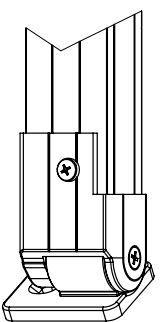
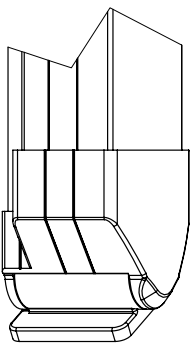
Stair Bracket Kit 36220, 36221, 36230, 36231, 36320, 36321, 36330, 36331, 36930, 36931, 36650, 36651

SIZE DWG. NO.
B Report assembly PAR US-36 Stair Pickets

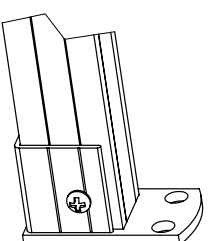
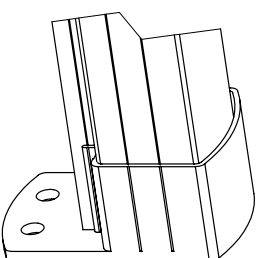
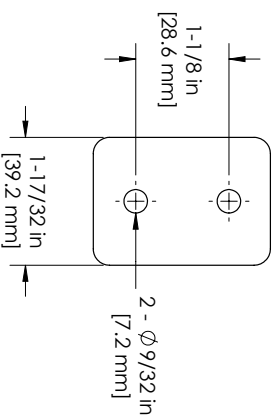
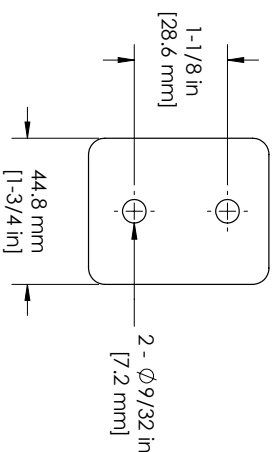
SCALE: 1:2 SHEET REV 2015-03-03-A

HORIZONTAL ANGLE BRACKET

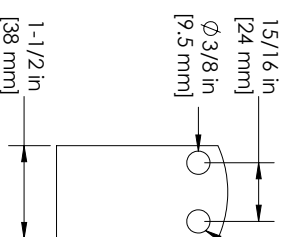
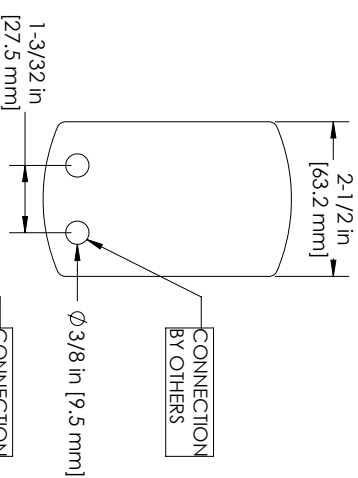
WALL BRACKET



MOUNTING TEMPLATE:



MOUNTING TEMPLATE:



CONNECTION BY OTHERS



TITLE
BRACKETS AND CONNECTORS

PART FILE
fig-brackets-horiz

DWG REV
D

PROPRIETARY AND CONFIDENTIAL
THE INFORMATION CONTAINED IN THIS DRAWING IS THE SOLE PROPERTY OF THE PEAK GROUP OF COMPANIES. ANY REPRODUCTION OR TRANSMISSION OF THIS INFORMATION WITHOUT THE WRITTEN PERMISSION OF THE PEAK GROUP OF COMPANIES IS PROHIBITED.

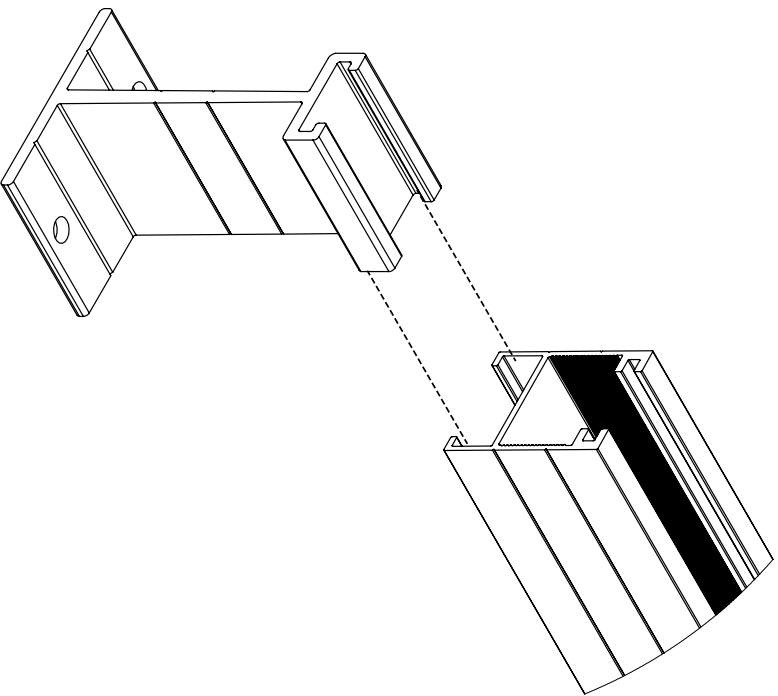
SIZE
B DWG. NO.
Report-brackets 36PAR US-res.

SCALE: 1:2
SHEET REV
2015-03-03-A

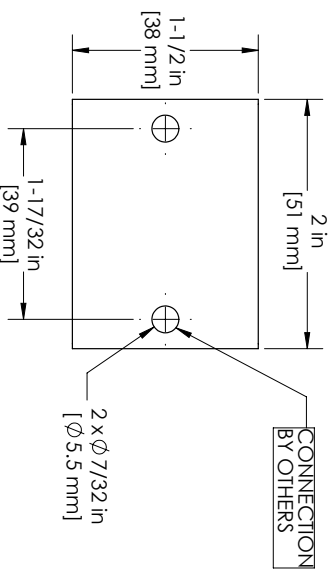
DESCRIPTION SKU

Horizontal Angle Bracket 36950, 36951

Wall Bracket 36920, 36921



MOUNTING TEMPLATE:



TITLE

BASE RAIL SUPPORT

PART FILE

Report assembly - base rail support

DWG REV

B

DIMENSIONS ARE IN MILLIMETERS UNLESS NOTED
DO NOT SCALE DRAWING

PROPRIETARY AND CONFIDENTIAL

THE INFORMATION CONTAINED IN THIS DRAWING IS THE SOLE PROPERTY OF THE PEAK GROUP OF COMPANIES. ANY REPRODUCTION OR TRANSMISSION OF THIS INFORMATION WITHOUT THE WRITTEN PERMISSION OF THE PEAK GROUP OF COMPANIES IS PROHIBITED.

SIZE

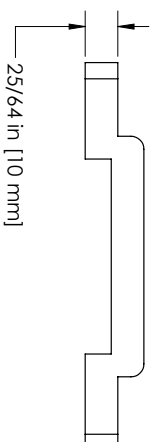
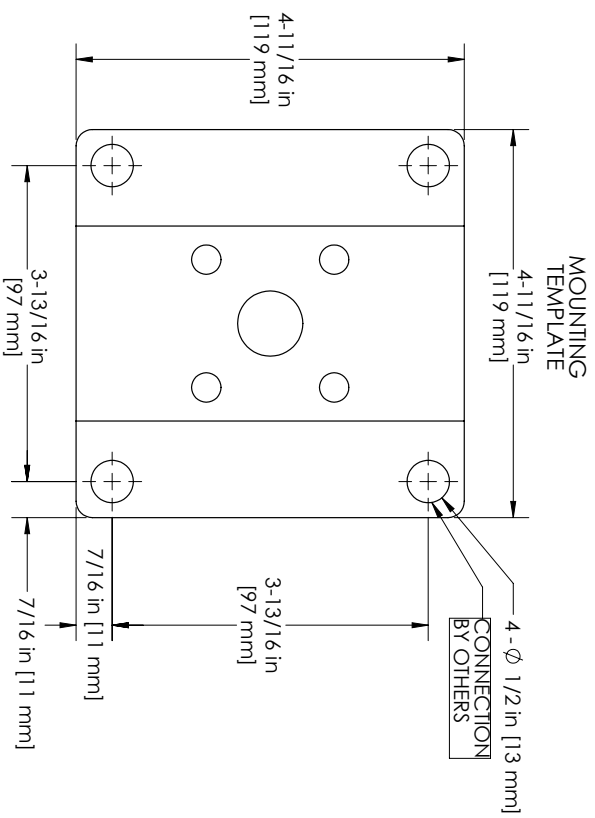
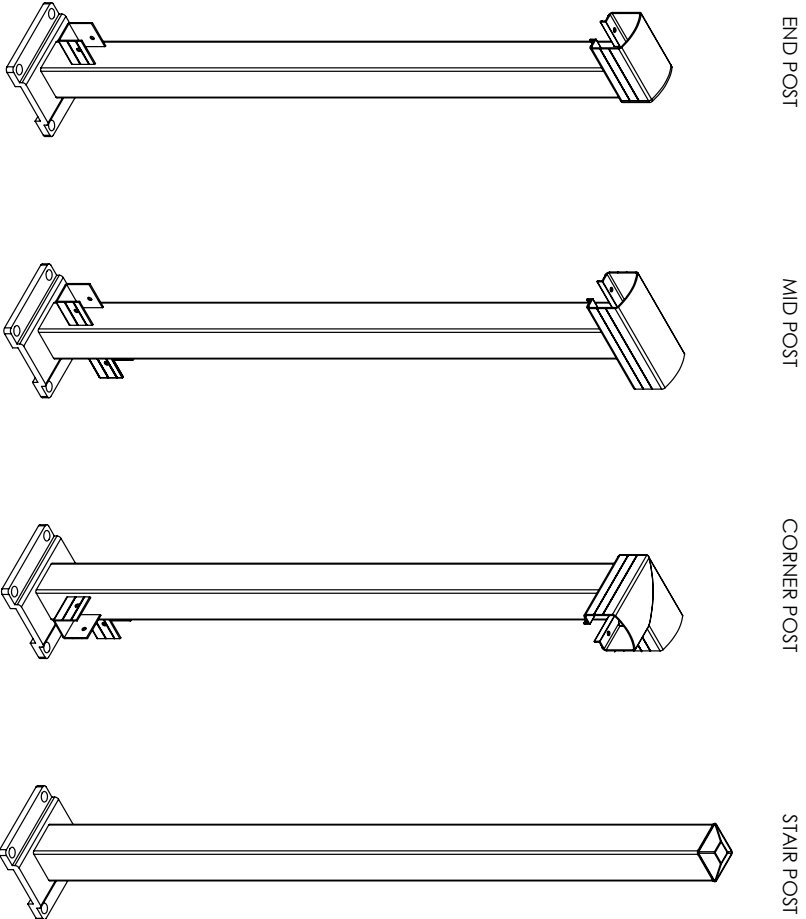
DWG. NO.

Report Assembly - BASE RAIL SUPPORT

B

SCALE: 1:1

SHT REV 2015-03-03-A



DESCRIPTION	SKU
END POST	36000, 36001
MID POST	36010, 36011
CORNER POST	36020, 36021
STAIR POST	36050, 36051



Posts 36in (2in x 2in)

PART FILE post-Base_10mm

DWG REV C

DIMENSIONS ARE IN MM UNLESS NOTED
DO NOT SCALE DRAWING

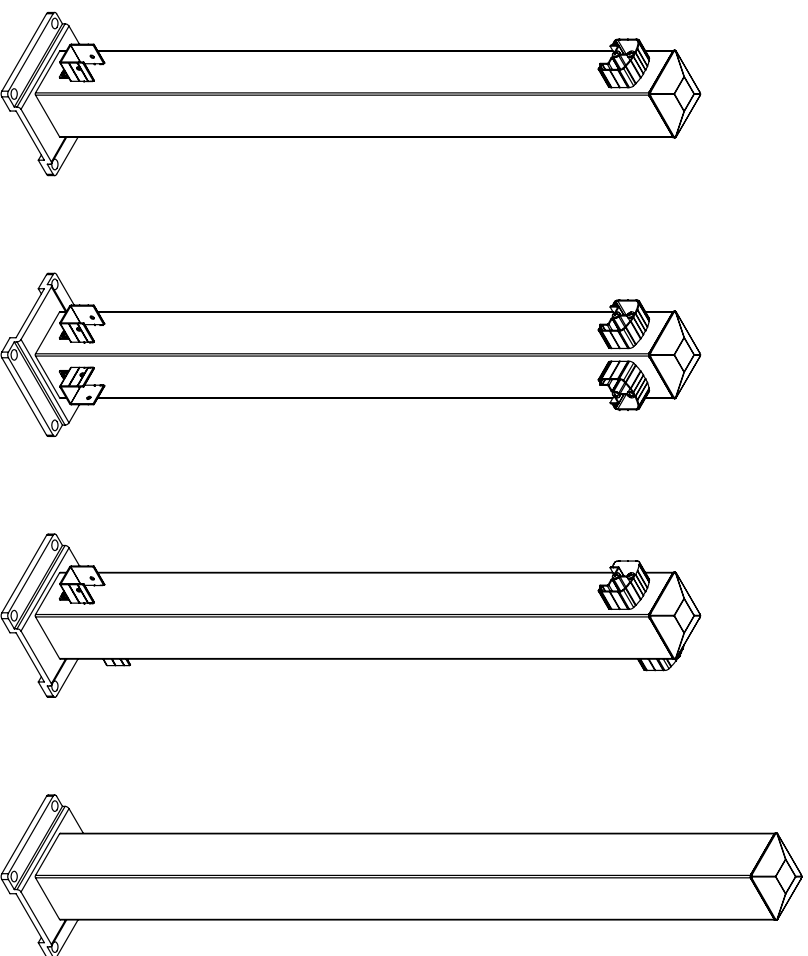
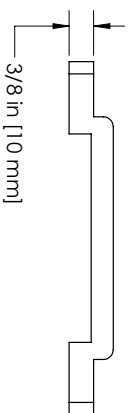
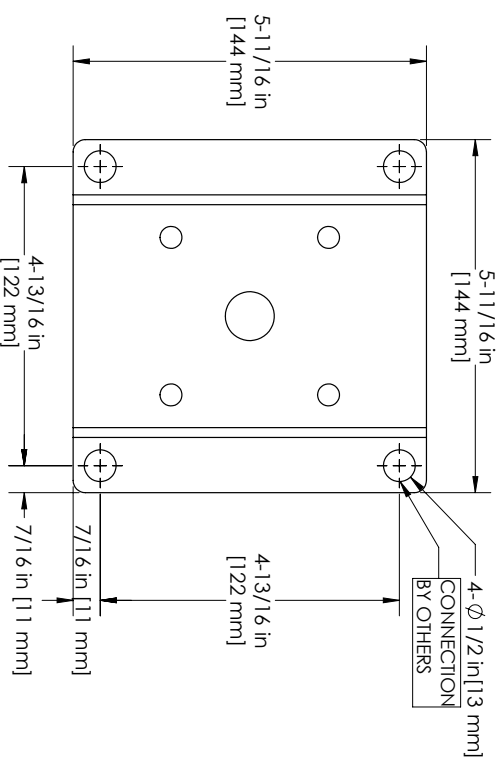
PROPRIETARY AND CONFIDENTIAL
THIS DRAWING AND ITS CONTENTS ARE PROPERTY
OF THE ISSUING PEAK COMPANY (INCLUDING PEAK
INNOVATIONS INC. AND PEAK PRODUCTS
CORPORATION). ANY DISSEMINATION OR
REPRODUCTION OR UNLICENSED USE IN WHOLE OR
IN PART IS STRICTLY PROHIBITED.

SIZE DWG. NO.
B Report Posts PAR US-36

SCALE: 1:8

SHT REV 2017-05-16

MOUNTING
TEMPLATE



END POST
36 in - 3 in x 3 in

CORNER POST
36 in - 3 in x 3 in

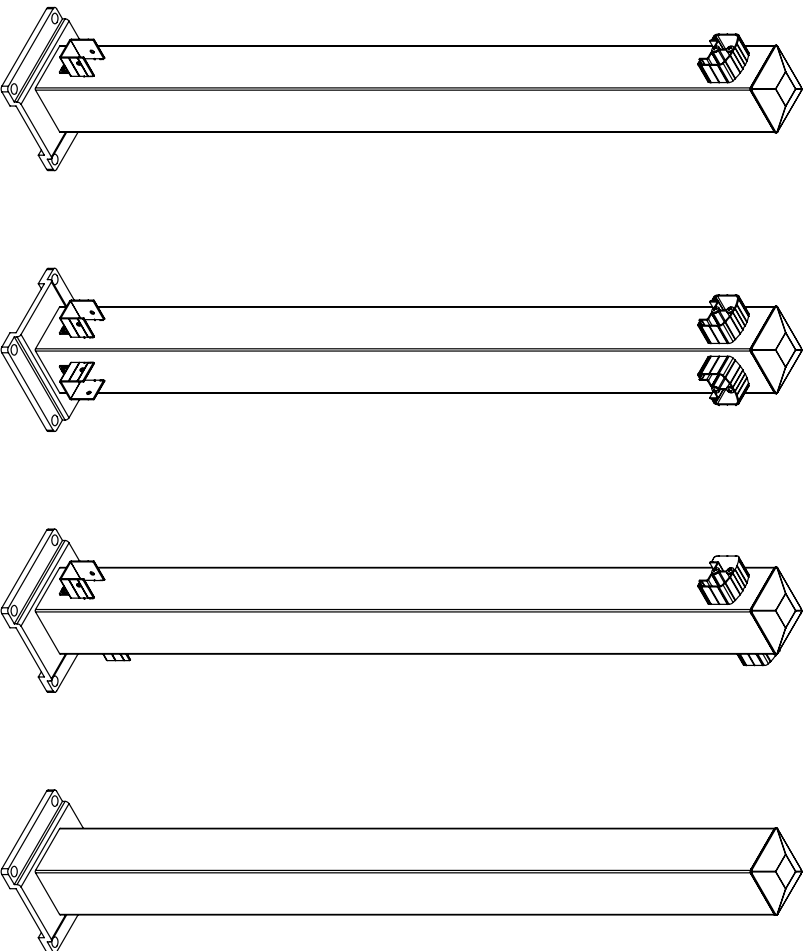
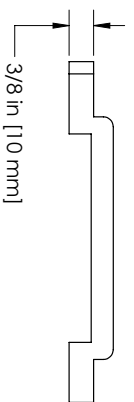
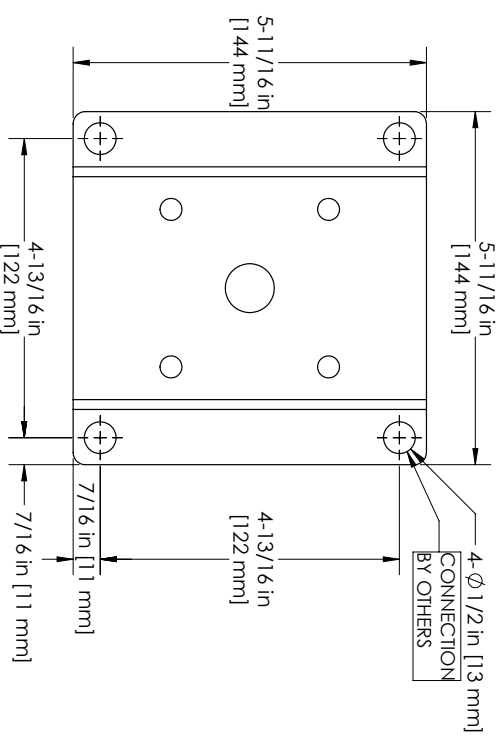
MID POST
36 in - 3 in x 3 in

STAIR POST
3 in x 3 in

DESCRIPTION	SKU
END POST - 36 in - 3 in x 3 in	36614, 36615
MID POST - 36 in - 3 in x 3 in	36616, 36617
CORNER POST - 36 in - 3 in x 3 in	36618, 36619
STAIR POST - 3 in x 3 in	42602, 42603

PEAK	
Posts 36in (3in x 3in)	
TITLE	
PART FILE	Posts Extruded
DWG REV	B
DIMENSIONS ARE IN MM UNLESS NOTED DO NOT SCALE DRAWING	
PROPRIETARY AND CONFIDENTIAL	
THIS DRAWING AND ITS CONTENTS ARE PROPERTY OF THE ISSUING PEAK COMPANY (INCLUDING INNOVATIONS INC. AND PEAK PRODUCTS CORPORATION). ANY DISSEMINATION OR REPRODUCTION OR UNLICENSED USE IN WHOLE OR IN PART IS STRICTLY PROHIBITED.	
SIZE	DWG. NO.
B	Report Posts 36k - 3x3 - ExBoise
SCALE: 1:8	SHT REV 2017-05-16

MOUNTING
TEMPLATE



END POST
42 in - 3 in x 3 in

CORNER POST
42 in - 3 in x 3 in

MID POST
42 in - 3 in x 3 in

STAIR POST
3 in x 3 in

DESCRIPTION	SKU
END POST - 42 in - 3 in x 3 in	42614, 42615
MID POST - 42 in - 3 in x 3 in	42616, 42617
CORNER POST - 42 in - 3 in x 3 in	42618, 42619
STAIR POST - 3 in x 3 in	42602, 42603

PEAK	
Posts 42in (3in x 3in)	
PART FILE	Posts Extruded
DWG REV	B
DIMENSIONS ARE IN MM UNLESS NOTED DO NOT SCALE DRAWING	
PROPRIETARY AND CONFIDENTIAL	
THIS DRAWING AND ITS CONTENTS ARE PROPERTY OF THE ISSUING PEAK COMPANY (INCLUDING INNOVATIONS INC. AND PEAK PRODUCTS CORPORATION). ANY DISSEMINATION OR REPRODUCTION OR UNLICENSED USE IN WHOLE OR IN PART IS STRICTLY PROHIBITED.	
SIZE	DWG. NO.
B	Report Posts 42k - 3k3 - ExBoise
SCALE: 1:8	3RD REV 2017-05-16